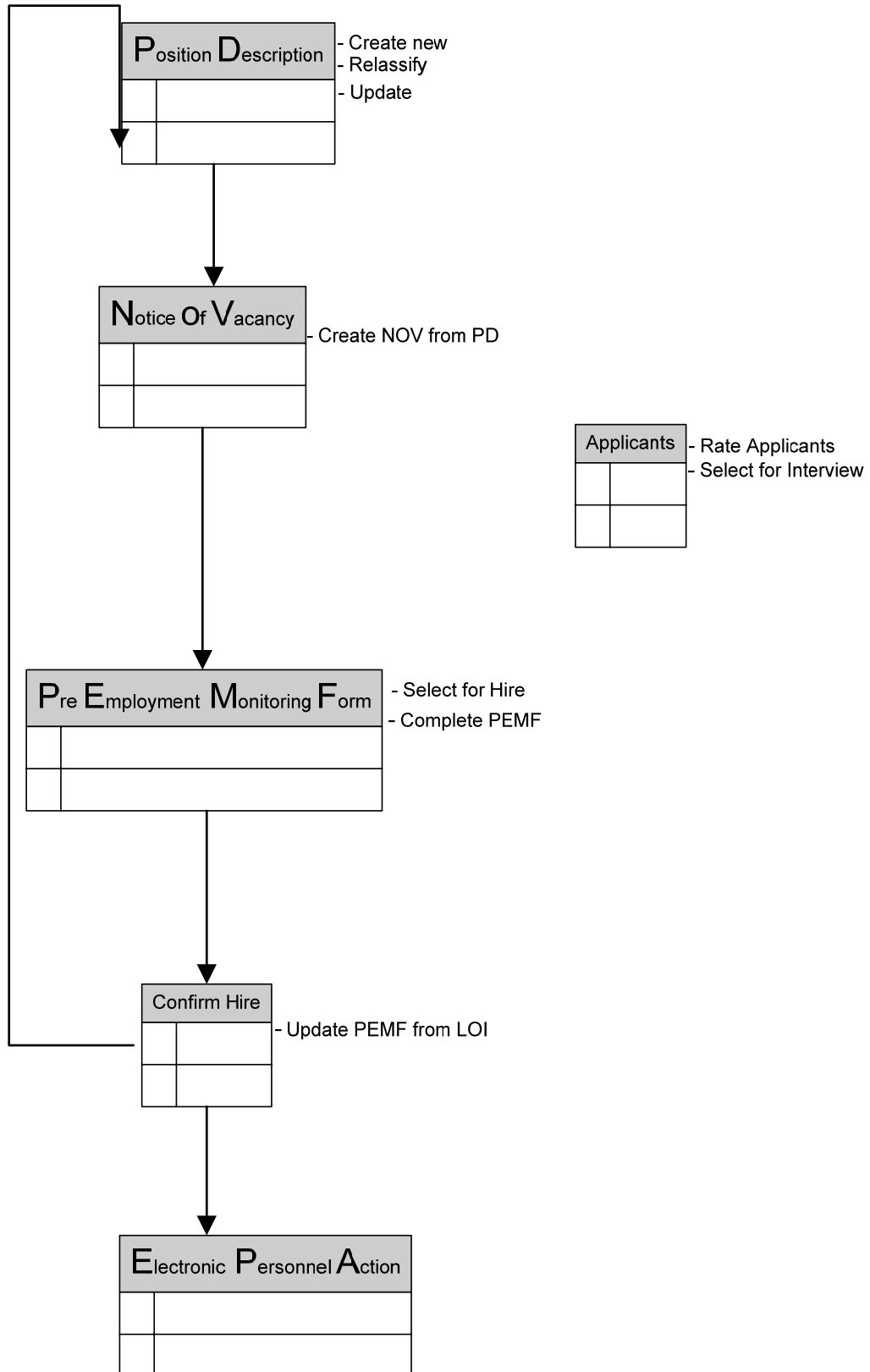


Merit & P&S (excluding temporary)



Position Number	004604	→	Position Number	004604
Title Code	COMMUNICATIONS SPECIALIST II - 6151	→	Title Code	COMMUNICATIONS SPECIALIST II - 6151
Pay Grade	13	→	Pay Grade	13
Salary	Minimum \$32,444; commensurate with qualifications	→	Salary	Minimum \$32,444; commensurate with qualifications
Base of Employment (For Merit positions select only E or H)	P - P&S	→	Base of Employment (Pay Base)	P - P&S
Number of Months Employed Per Year	12	→	Number of Months	12
Fraction	Full Time	→	Fraction	Full Time
Job Summary Briefly describe the basic purpose of the position.	Create recruiting, media and other communications.	→	Job Description	Create recruiting, media and other communications.
Required Qualifications	Bachelor's degree in related field and one year of experience creating communications.	→	Required Qualifications	Bachelor's degree in related field and one year of experience creating communications.
Preferred Qualifications	Experience working with the media.	→	Preferred Qualifications	Experience working with the media.
Primary Employing Department	Sample Office 1	→	Primary Employing Department Code	Sample Office 1

Position Number	004604	→	Position Number	004604
Title Code	COMMUNICATIONS SPECIALIST II - 6151	→	Title Code	COMMUNICATIONS SPECIALIST II - 6151
Pay Grade	13	→	Pay Grade	13
Fraction	Full Time	→	Fraction	Full Time
Primary Employing Department Code	Sample Office 1	→	Department Code	Sample Office 1
Appointment Type	Professional & Scientific - Continuous	→	Appointment Type	Professional & Scientific - Continuous
Vacancy ID #	060980	→	Vacancy ID #	060980

PEMF

Candidate First Name

John

Candidate Last Name

Doe

University ID Number

000000000

Employment Start Date

01-05-2007

Vacancy #

060980

PD

Employee First Name

John

Employee Last Name

Doe

University ID Number

000000000

Hire Date

01-25-2007

Vacancy # Hired On

060980

PEMF

Candidate First Name	John
Candidate Last Name	Doe

EPA

FUNC AA SSNO:XXXXXXXX FUND.ACCT SEQ 01 YEAR 07 VAC ID 060980

Title Code	COMMUNICATIONS SPECIALIST II - 6151
------------	--

CLASS/TITLE CODE: 6151
TITLE: COMM SPEC II

Pay Grade	13
-----------	----

GRADE: 13

Appointment Type	Professional & Scientific - Continuous
------------------	---

**LETTER OF INTENT END DATE: OR CONTINUOUS: Y

Pay Base (B, A, P, K, E, H, P9, E10.) (As will appear on EPA)	P
--	---

BASE: P

Fraction	Full Time
----------	-----------

FRACTION:

Employment Start Date	01-05-2007
-----------------------	------------

START DATE: (MMDD YY) 01 25 07

Proposed Base Salary (Faculty and P&S only)	35000
--	-------

DEPT ANNUAL SALARY: 35000

Applicant Code	Original Entry
----------------	----------------

NEW: X